

SIX-FOOT TABLE VENDOR FORM

DATE

Thursday, June 18, 2026

EVENT TIME

5:30 - 7:30 PM

LOCATION

Foss Waterway Seaport
705 Dock St, Tacoma, WA 98402

VENDOR SET-UP TIME

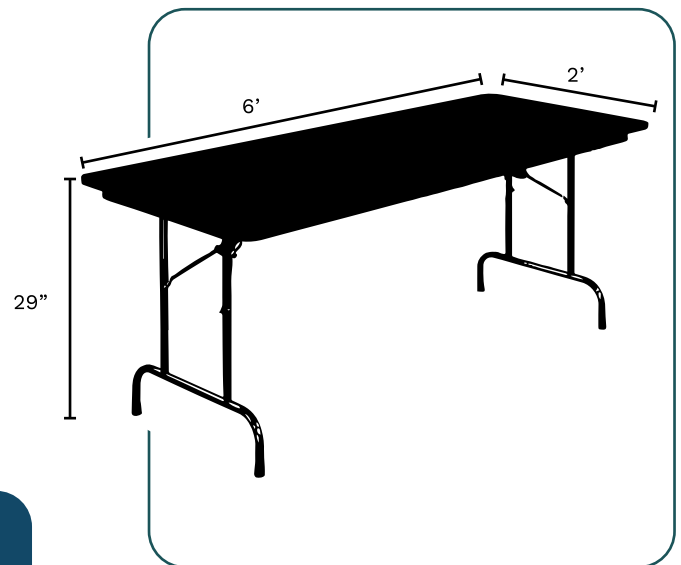
2:30 - 5:00 PM. No exceptions.

COST

Early Bird: \$375 (valid 4.1.26-4.30.26)
Standard: \$500 (valid 5.1.26-6.18.26)

BENEFITS

- One (1) six-foot table with black linen. Power not available.
- Two (2) complimentary tickets (includes primary contact).
- Table tent at event featuring company name.
- Recognized as vendor on event page.
- Featured in select promotional materials.
- Opportunity to connect with hundreds of attendees.
- May sell products and merchandise. Items must be approved before event. **No food or beverage sales.**



COMPANY NAME

CATEGORY/BUSINESS TYPE

PRIMARY CONTACT NAME

PRIMARY CONTACT CELL

PRIMARY CONTACT EMAIL

FORM DEADLINE

Form must be completed and payment finalized by **Monday, May 25, 2026**, to reserve your space. Return form via email: taylor.kirby@tacomachamber.org.

WHAT'S NEXT

Once form is completed, you will receive a confirmation email. Prior to the event, you will receive a day-of info sheet.

FTC CODE: Federal Trade Commission (FTC) has a "cooling off" rule that allows the customer three business days to change their mind on a purchase of \$25.00 or more made at a temporary location. Under this rule the sales person must inform customer of their cancellation rights at the time you agree to the sale. The salesperson must also provide customer with two copies of the cancellation form, one to keep and one to send, should the customer decide to cancel. The contract and receipt should be dated, show the name and address of the seller and explain their right to cancel. Any company that does not provide consumer with proper cancellation forms is in violation of the FTC code.

QUESTIONS

Taylor Kirby | taylorkirby@tacomachamber.org | 253-682-1744